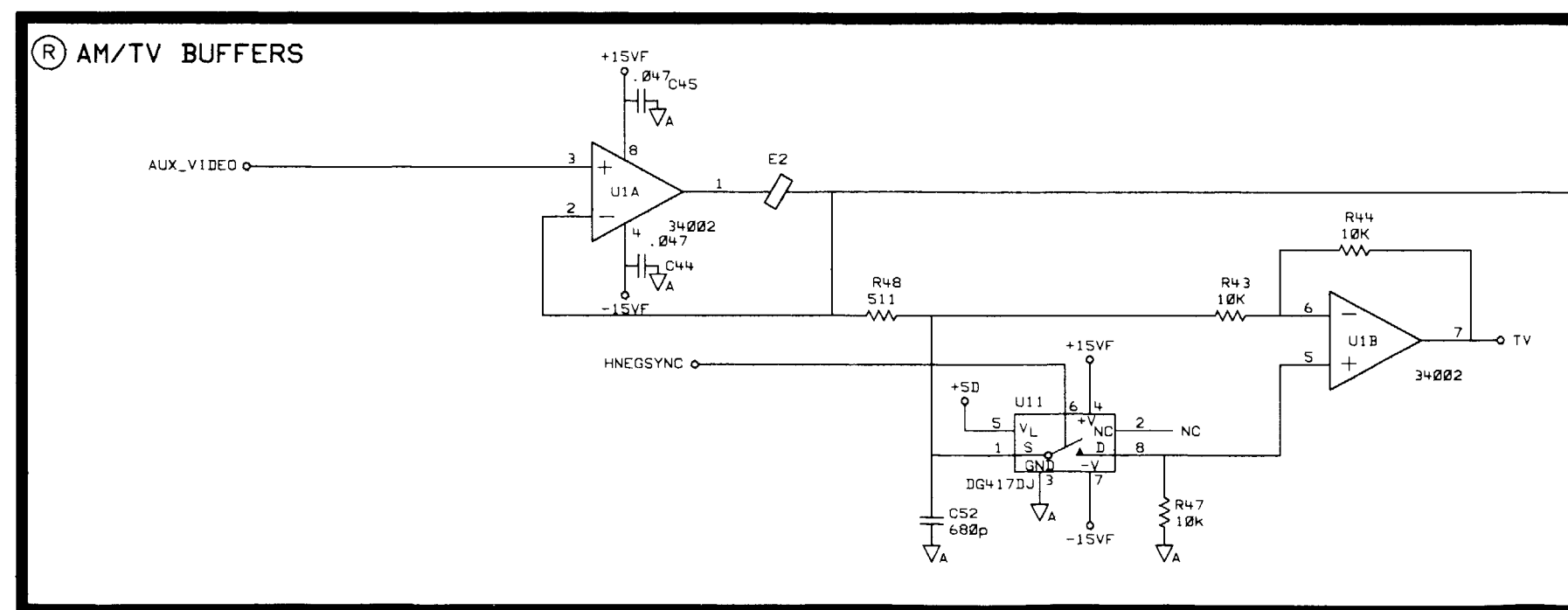
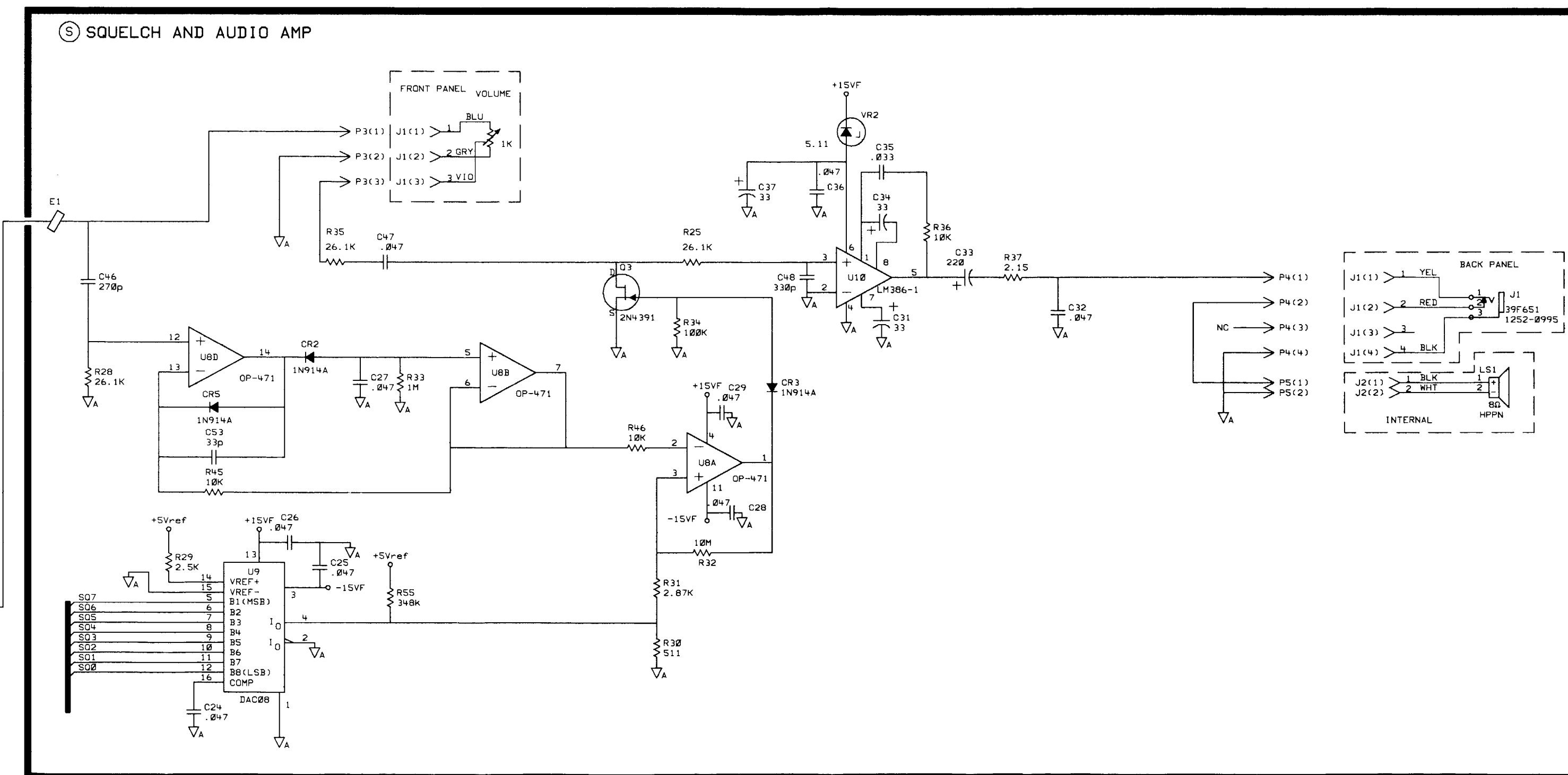
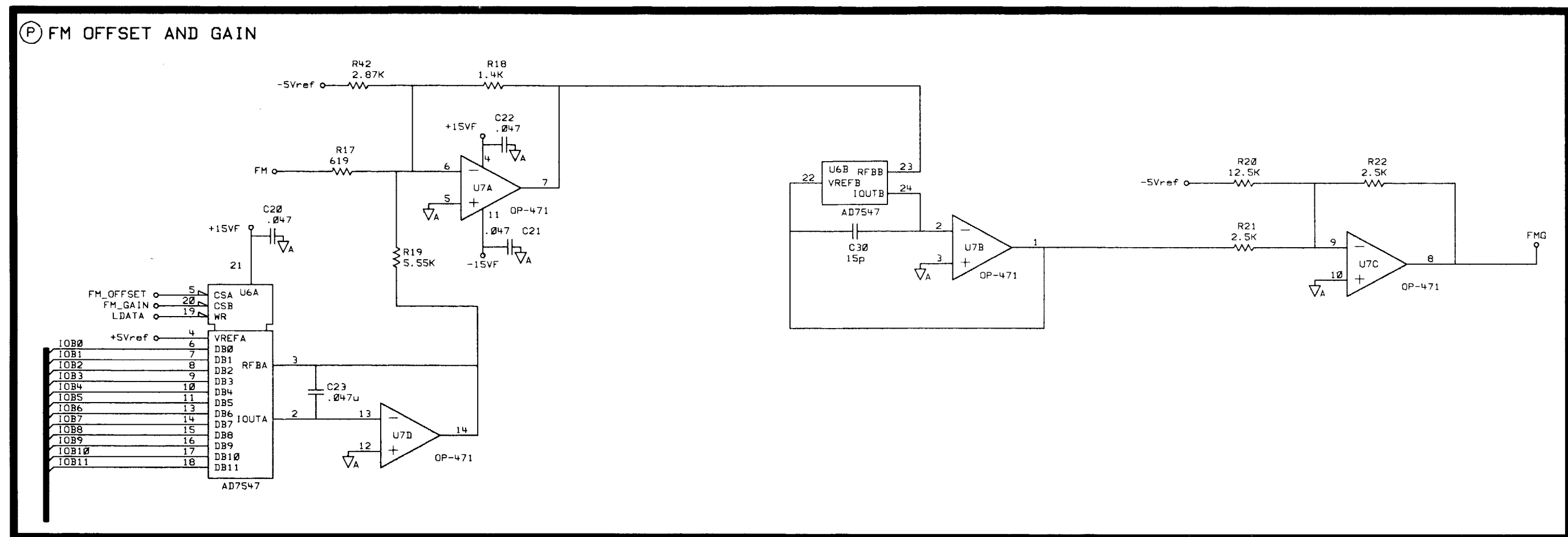
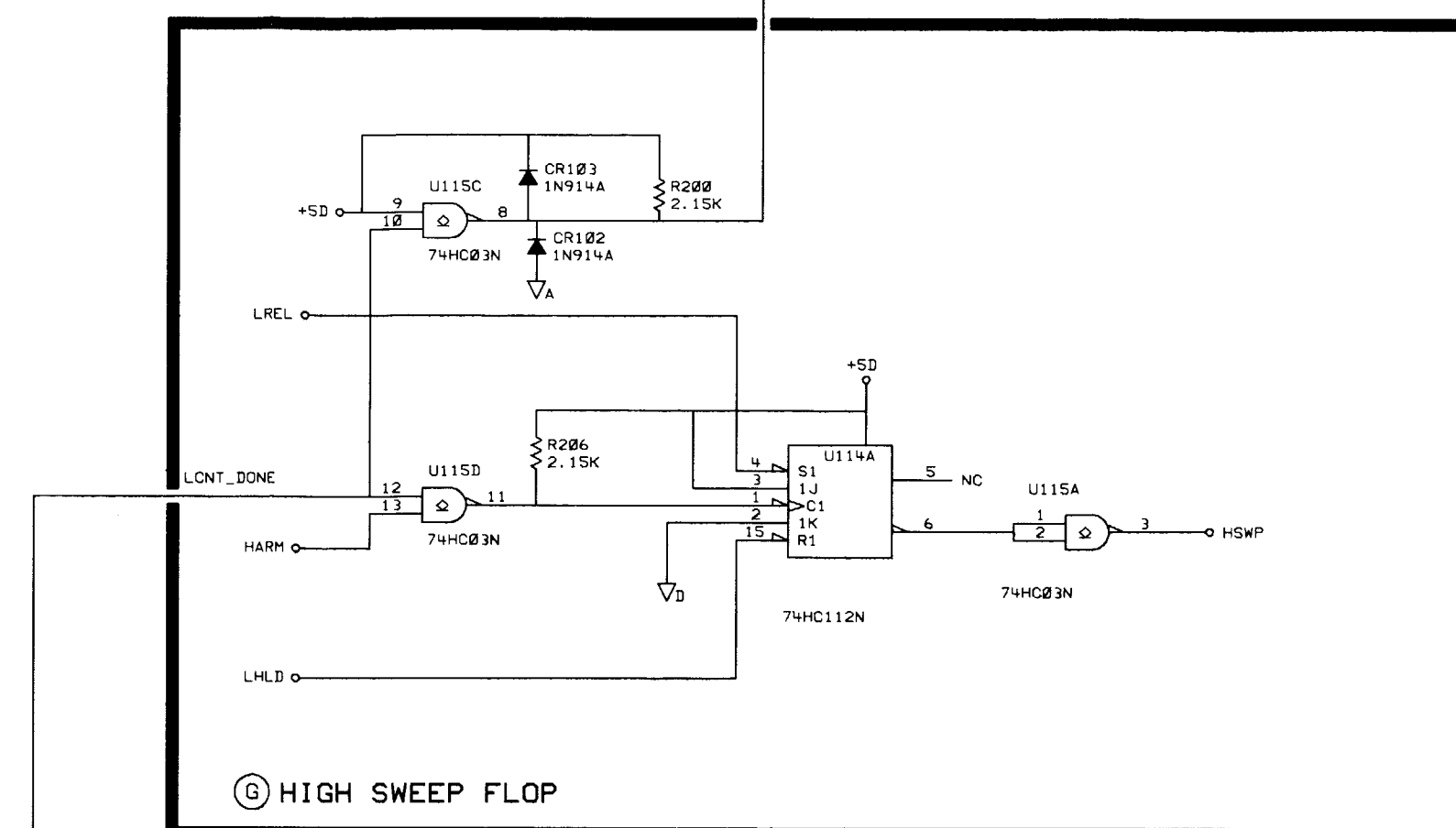
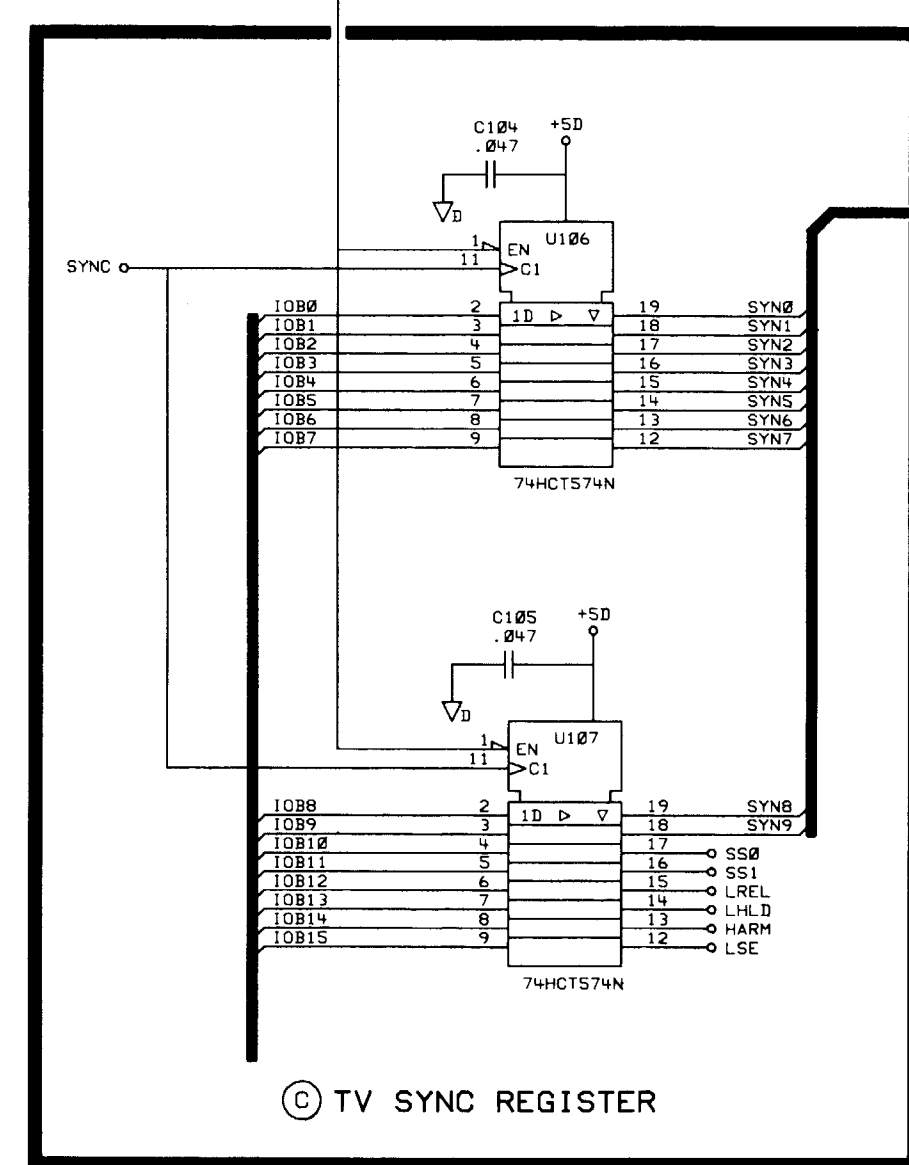
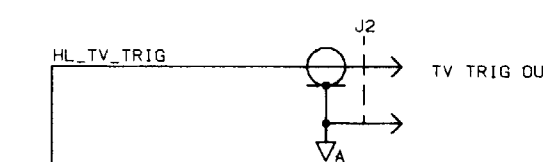
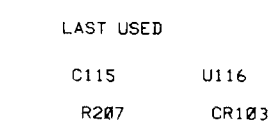
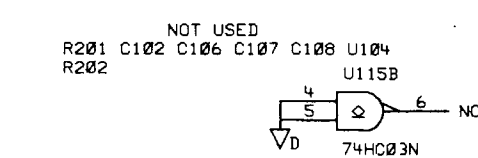
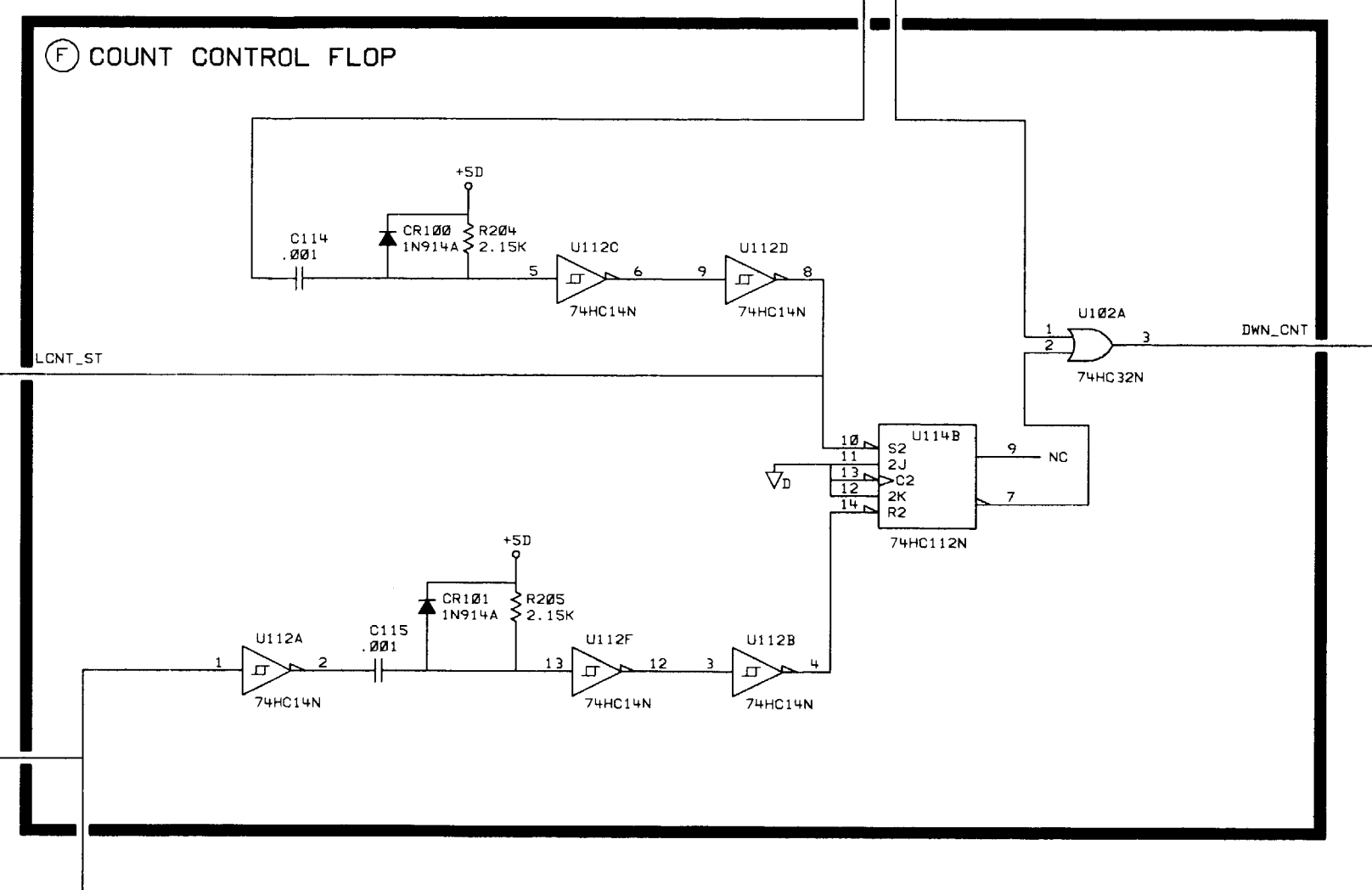
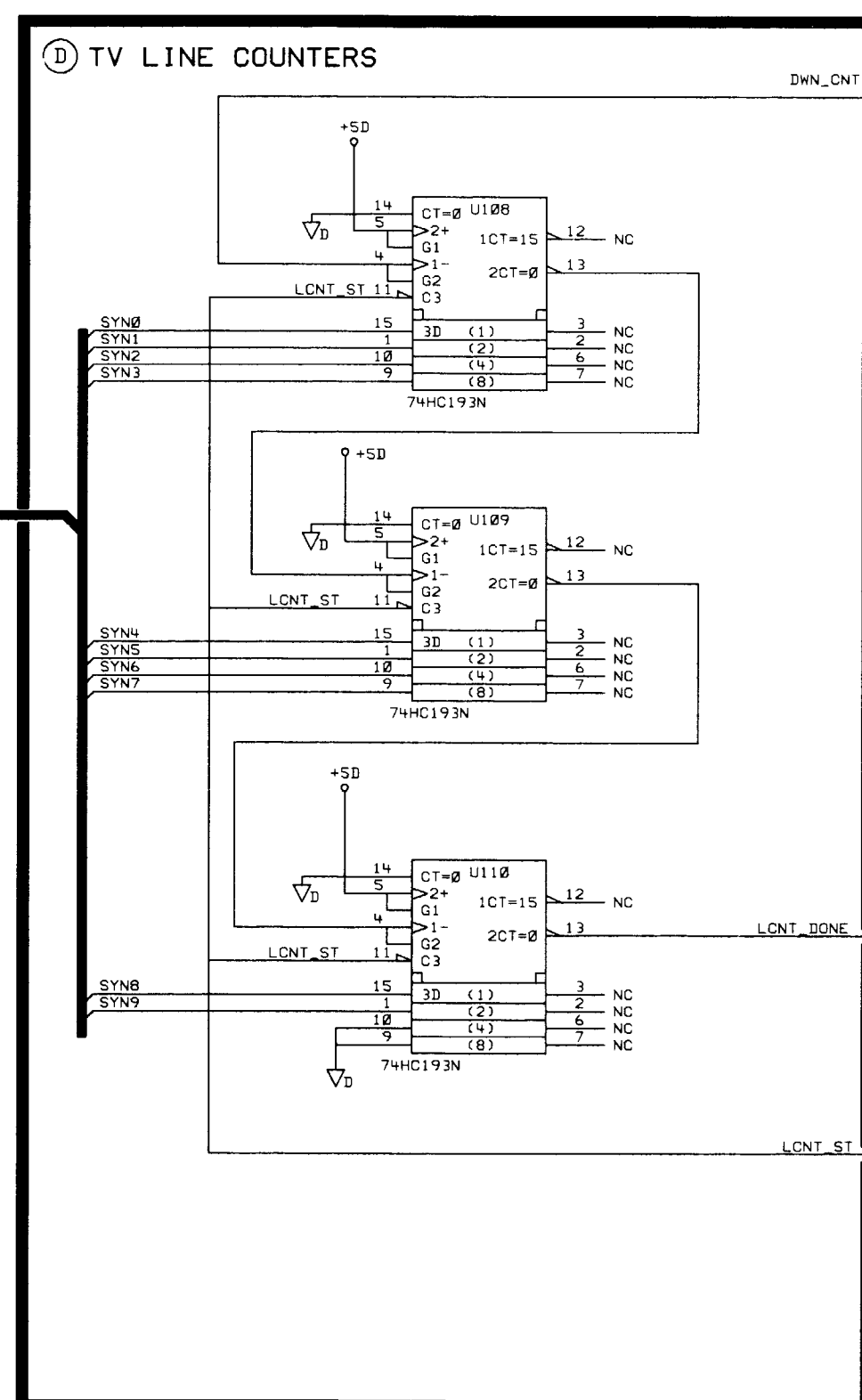
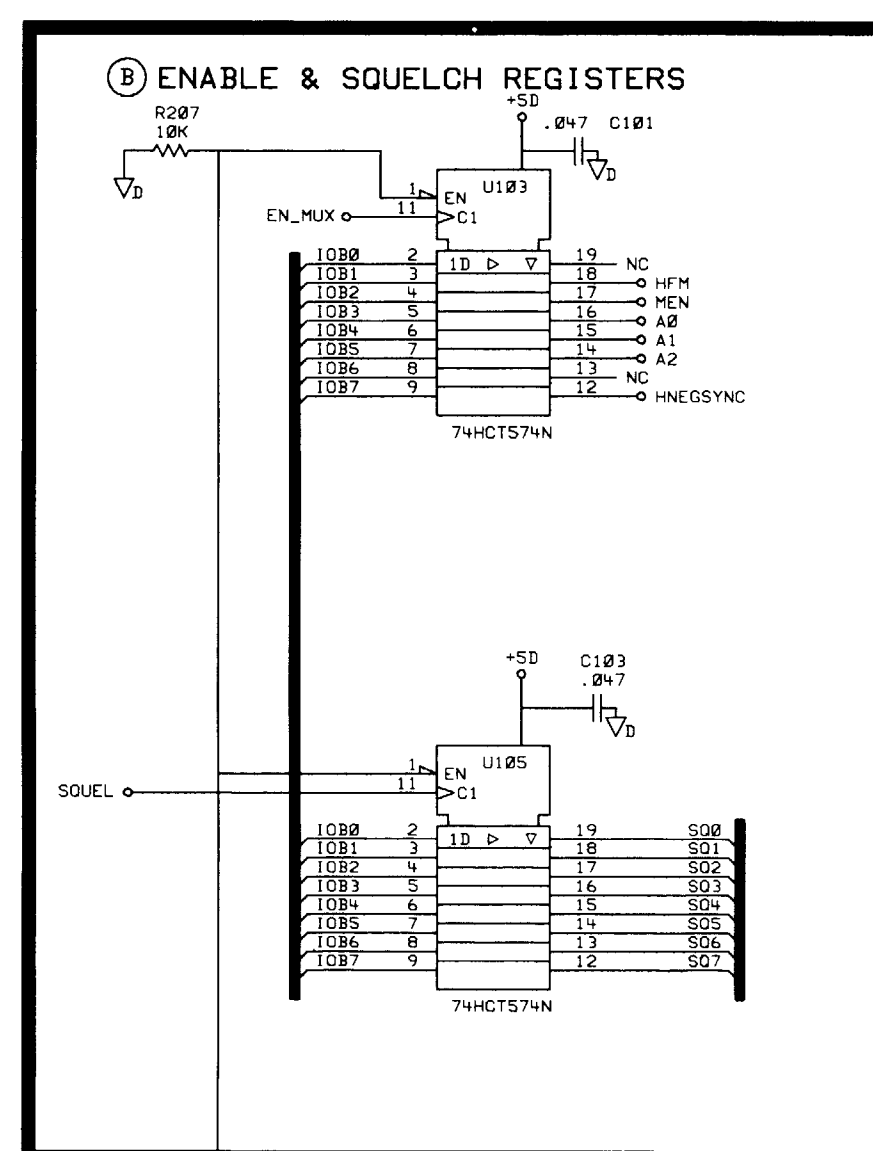
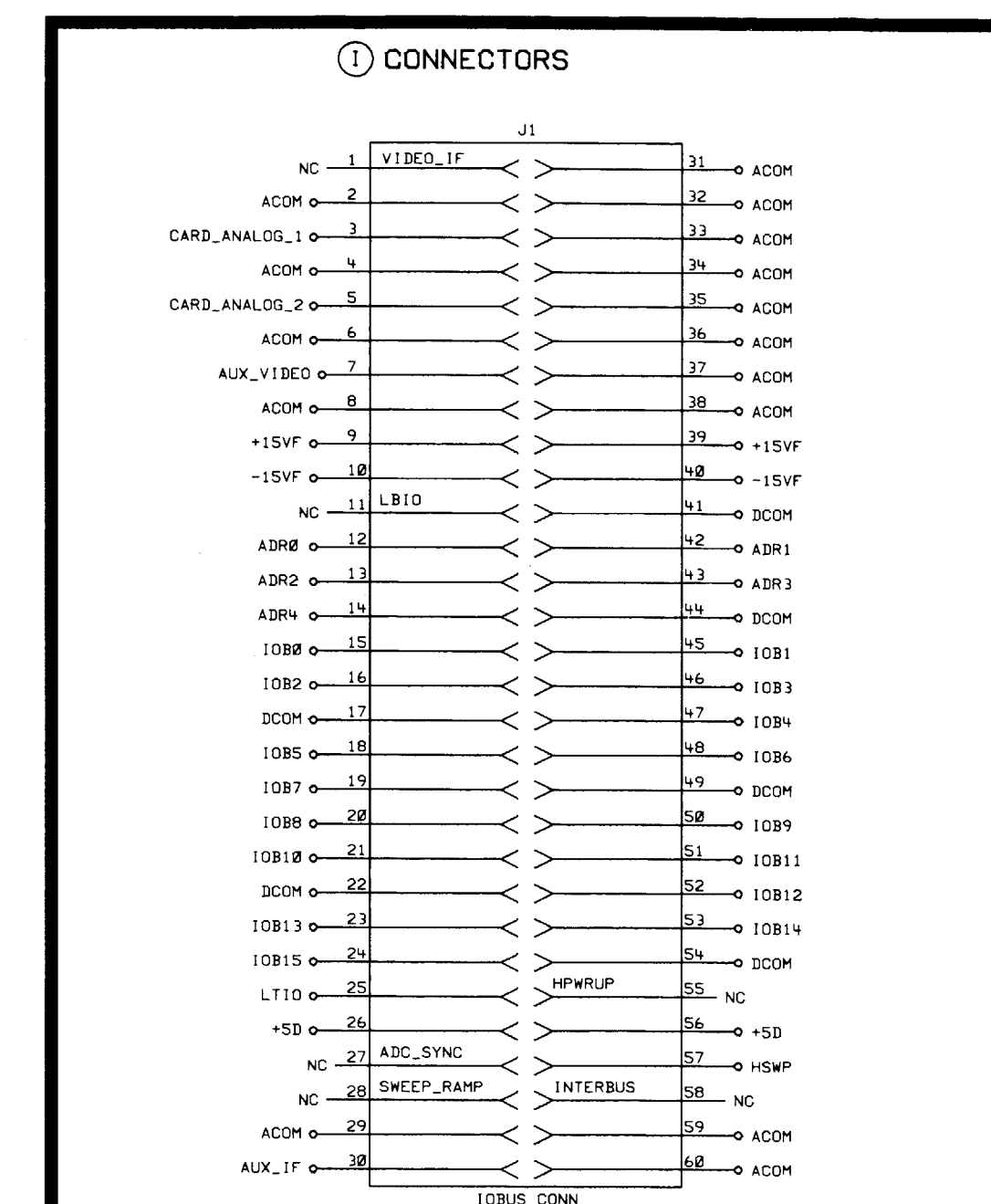
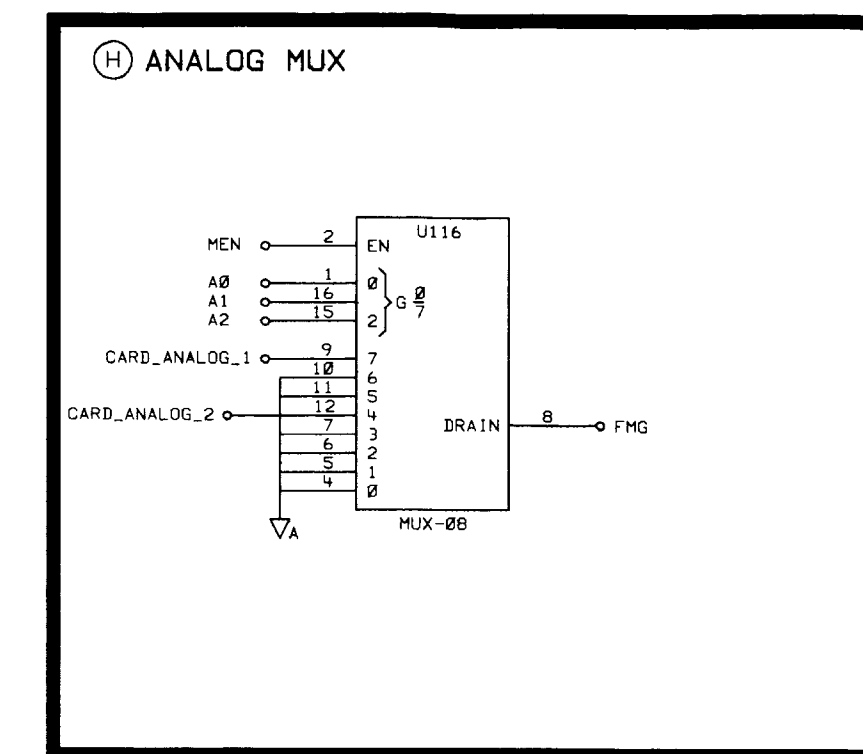
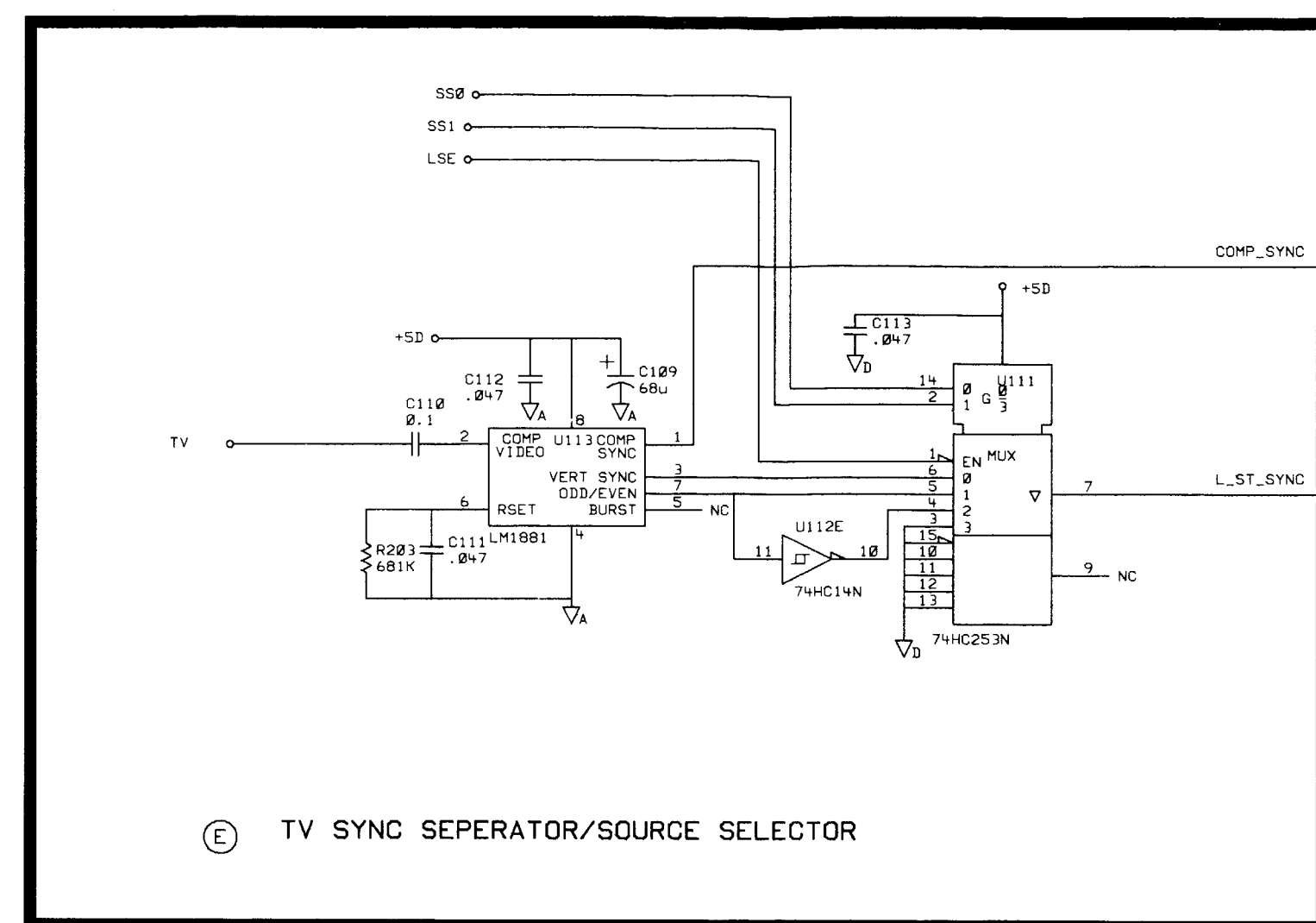
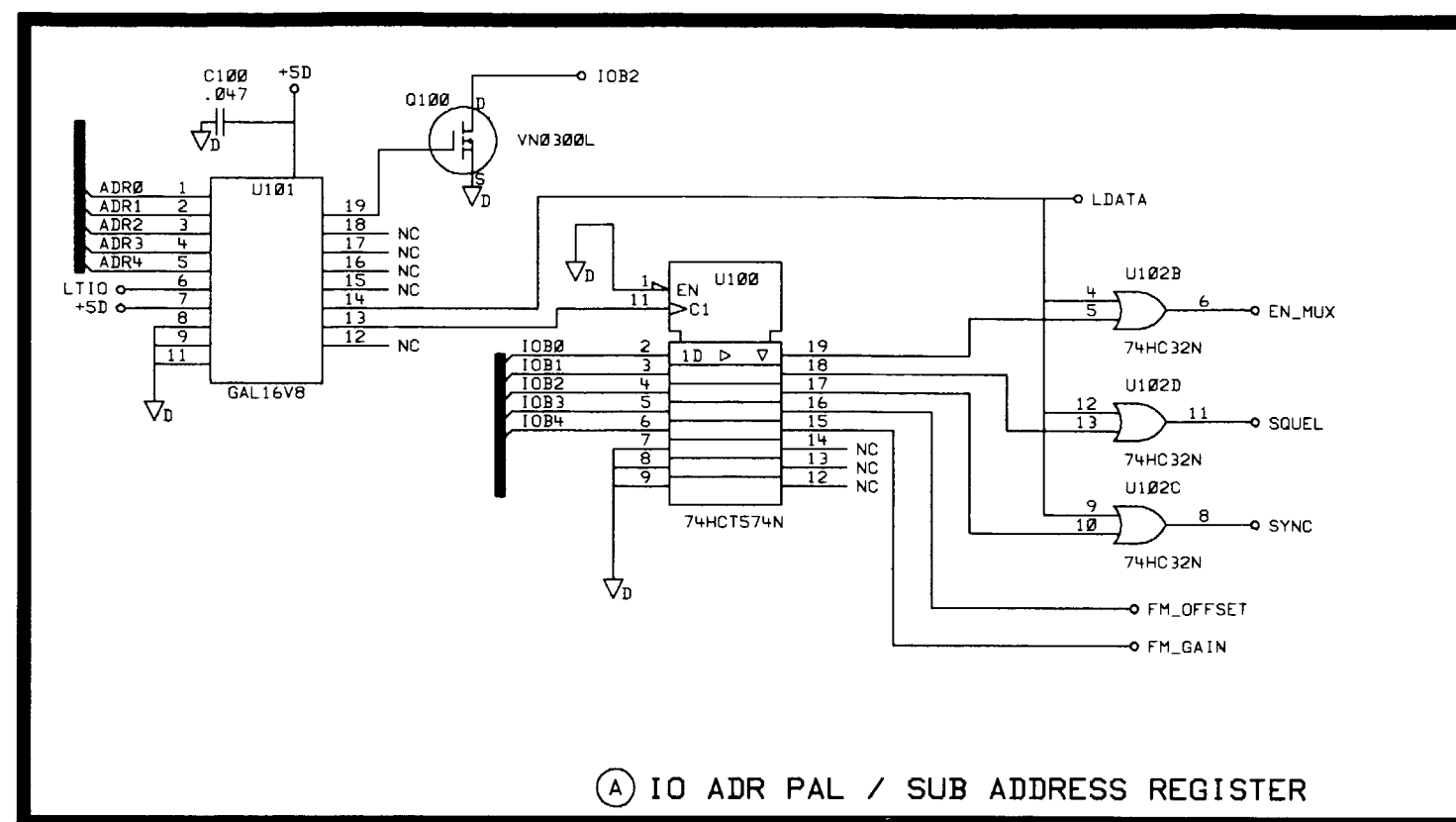


NOTES:
 1. REFERENCE DESIGNATORS WITHIN THIS ASSEMBLY ARE ABBREVIATED. PREFIX ABBREVIATION WITH ASSEMBLY NUMBER FOR COMPLETE REFERENCE DESIGNATOR.
 2. UNLESS OTHERWISE INDICATED: RESISTANCE IN OHMS (Ω) CAPACITANCE IN MICROFARADS (μF) INDUCTANCE IN MICR0HENRIES (μH)
 3. MNEMONIC TABLE

MNEMONIC	DESCRIPTION





TV LINE TRIGGER